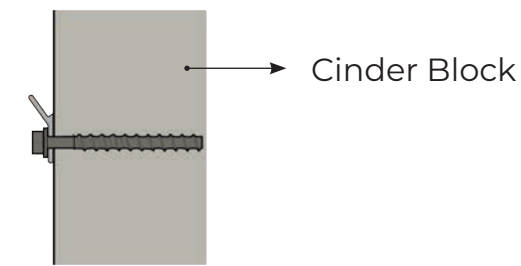
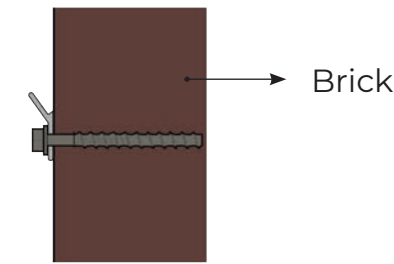
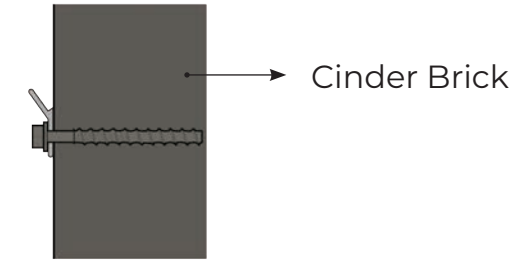
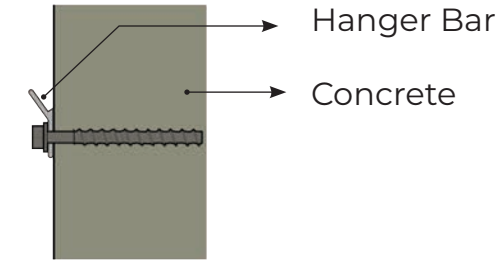


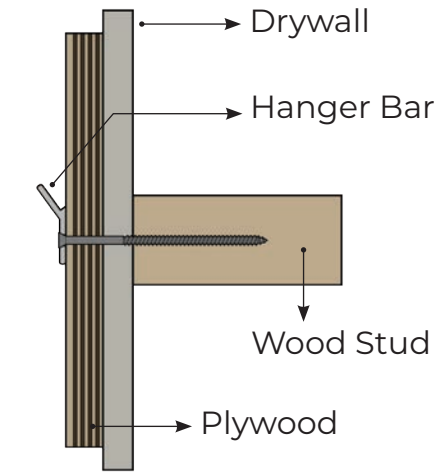
INSTALLING P360

When installing P360 to a wall surface it is important to know the type of wall composition to ensure a comprehensive installation.

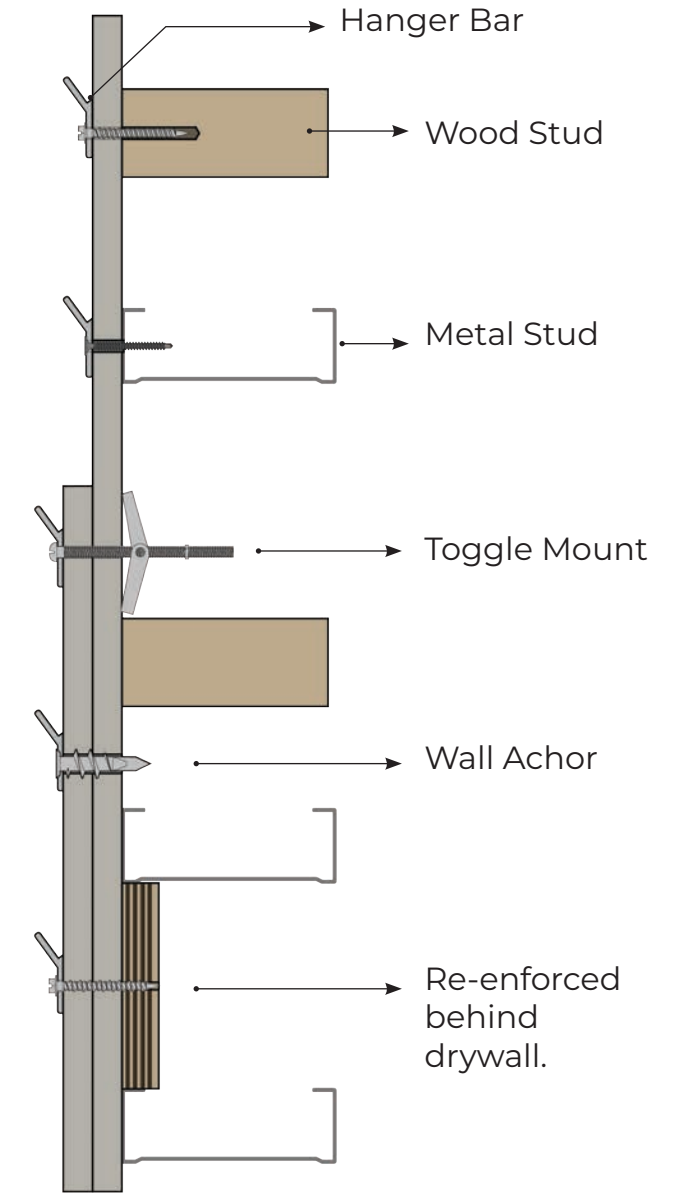
Here is a breakdown how our P360 system attaches.



Mount to concrete masonry materials



Mount to Plywood



Mounting methods

* P360 is recommended to be installed by an authorised Platinum installation

TRACK STAR MOUNTING SYSTEM

The Track Star Mounting System can be easily retrofitted to any existing wall, seamlessly integrating into any learning space. This innovative system transforms environments by serving as the key functional element that activates the wall, unlocking new possibilities for organization, display, and interaction. With Track Star, every wall gains a new dimension, enhancing both functionality and versatility in any educational setting.

